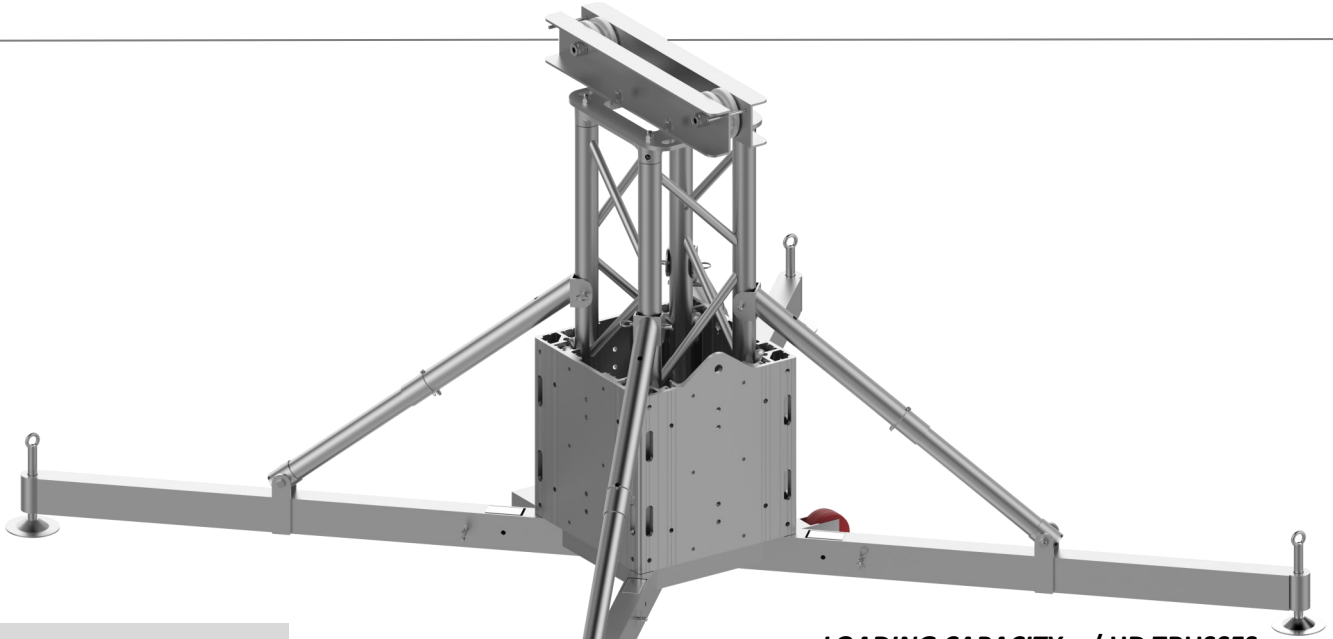


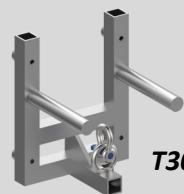
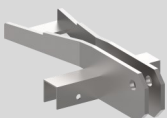
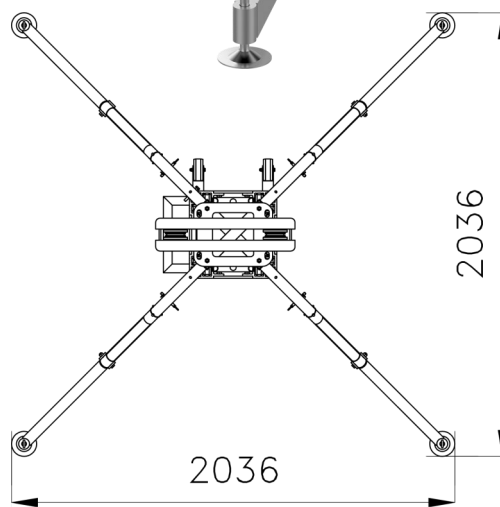
P30QH T

Aluminium tower, 29 cm side, maximum height 8 meters, capacity 1000 kg with HD trusses
Torre in alluminio base 30, altezza massima 8 metri, portata 1000 kg con tralicci HD


ACCESSORIES - ACCESSORI

T30Q W

T30Q KL

T30Q J

T30Q SS

T30Q CS


2036

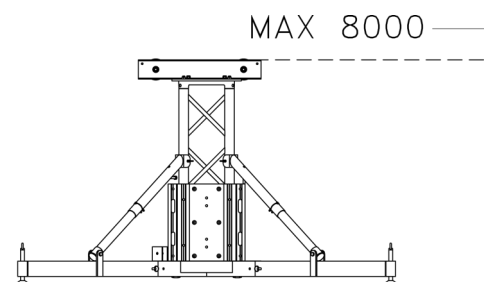
2036

LOADING CAPACITY w/ HD TRUSSES
PORTATA CON TRALICCI HD

Height [m]	Capacity [kg]
2	3500
3	3500
4	3500
5	2500
6	1800
7	1350
8	1030

P30QH T Kit Tower 29cm section includes:

- T30Q B** 1 Tower Base h 1m
- T30Q T** 1 Tower Top
- T30Q S** 1 Sliding Corner Blox 29/40 trusses
- TQ KS** 1 Connection Kit for Sliding Corner Block
- RAS3250** 1 Omega Shackle with screw pin, capacity 3.25 t

P30QH T : Kit Torre 29


MAX 8000

- T30Q B** 1 Base Torre h 1m
- T30Q T** 1 Top Torre
- T30Q S** 1 Carrello Torre 29/40
- TQ KS** 1 Kit di connessione per carrello
- RAS3250** 1 Grillo omega portata 3.25 t, con perno a vite

Main Tubes - Tubi Correnti: EN AW-6082 T6 Ø50x3mm

Diagonals - Diagonali: EN AW-6082 T6 Ø20x2mm

Plates - Piastre: EN AC-42200 T6

