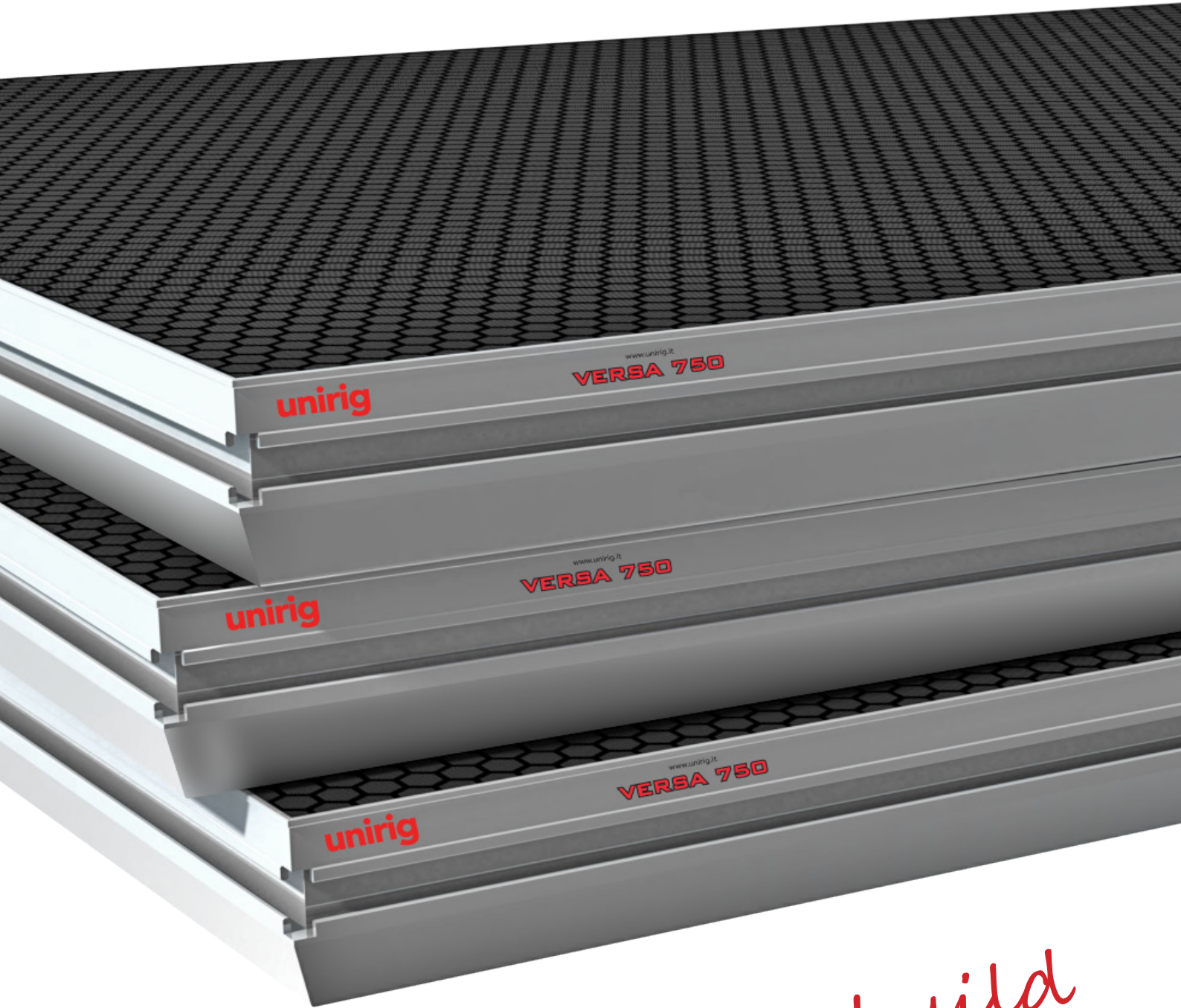


unirig

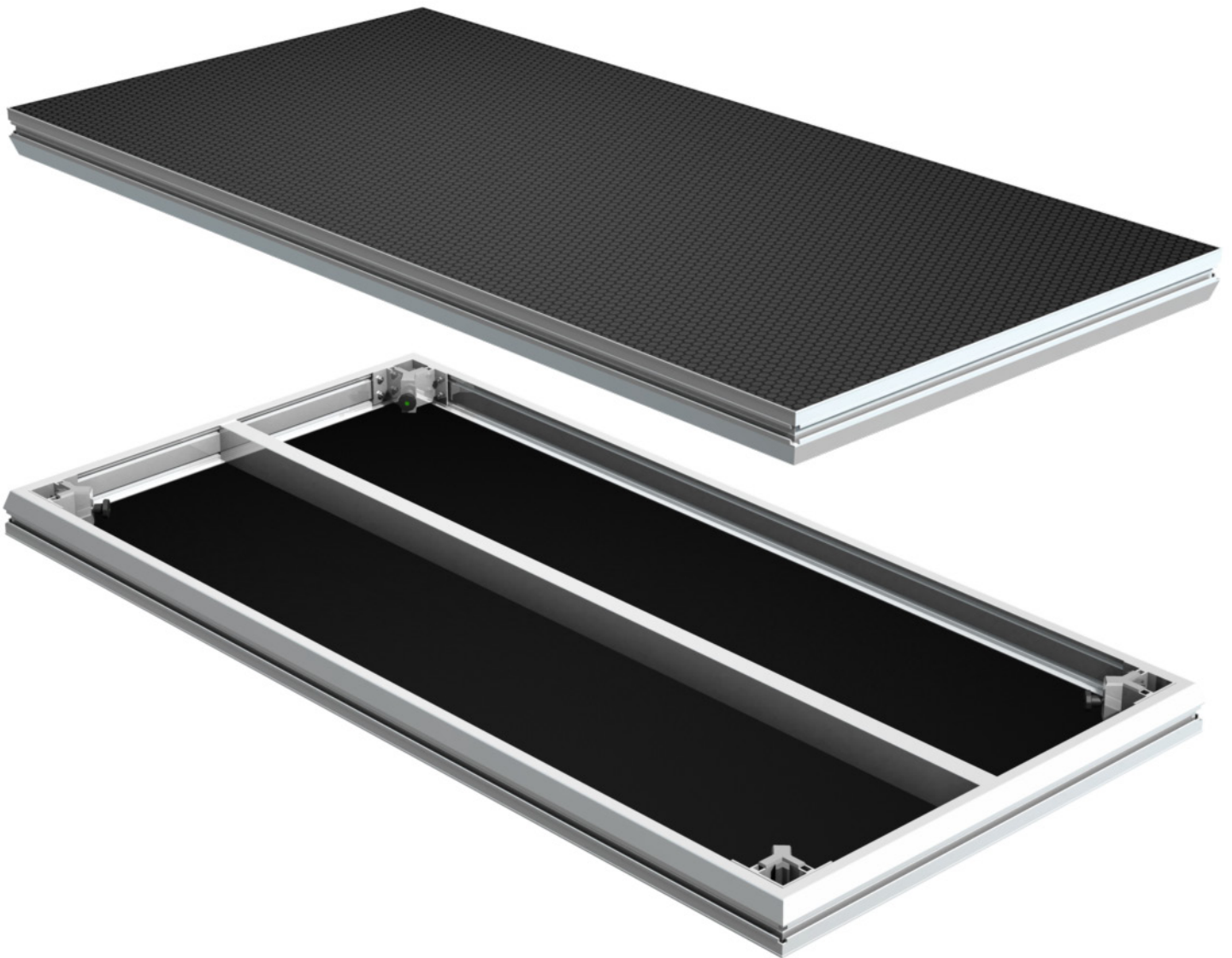
STAGING & RIGGING



It's time to build something better!

VERSA 750

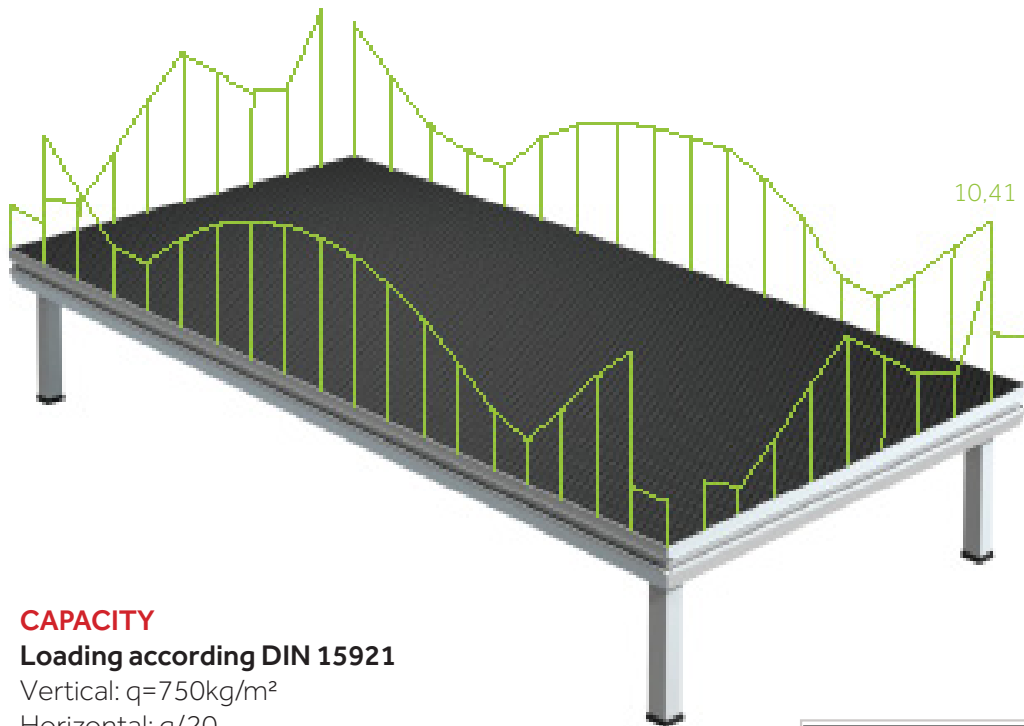
FULL VERSATILITY IN ONE PRODUCT



Unirig is proud to launch the new VERSA750. Model VERSA750 combines strength, durability, stability, lightweight and total flexibility.



STRENGTH – 750KG/M²



CAPACITY

Loading according DIN 15921

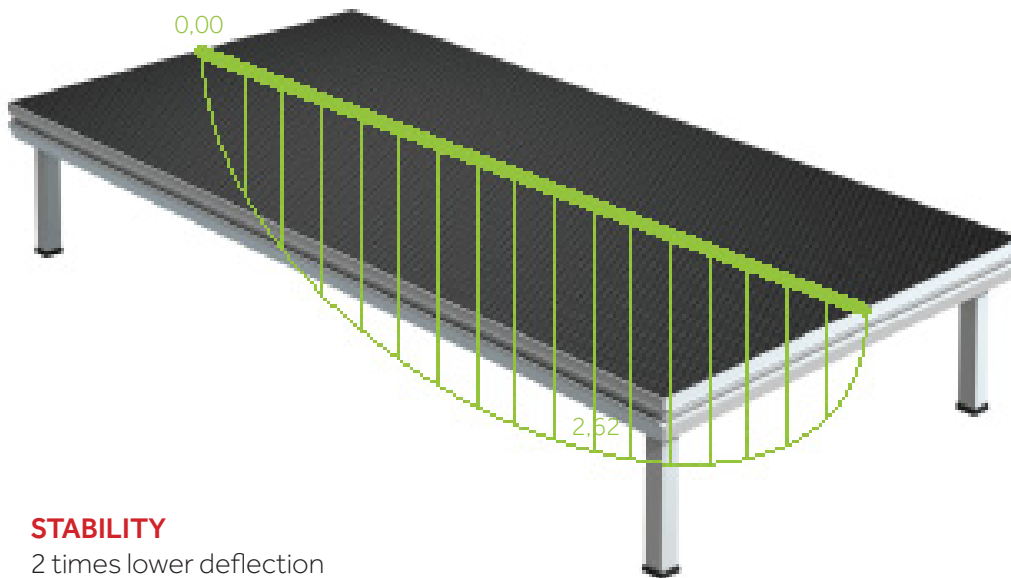
Vertical: $q=750\text{kg/m}^2$

Horizontal: $q/20$

Ingenieure für Ihre Visionen ■ Zuverlässigkeit ■ Sicherheit ■ Schnelligkeit		EXPO Engineering	
Statische Berechnung Static Analysis		Datum: 04.03.2016 Lieferzeichn.-Nr.: 2016020404 Kunden-Nr.: 80902 Sachbearbeiter-Nr.: Uwe Rutenmund	
Auftraggeber: Everdeck SC Customer: Uł. Kluczborska 13B 46 243 BXGACICA POLEN			
Projekt: 2016-0144 Project: Stage platform 2x1 m			
<small>Nur gültig und rechtsverbindlich als Original mit Stempel und Unterschrift - Kopien sind nichtbindend Only valid and binding as an original document with stamp and signature - copies are illegal</small>			
		Expo Engineering GmbH Suerkamp 14 D-91930, Cadee Fon: +49 (0) 2520-93162-0 Fax: +49 (0) 2520-93162-220 www.expo-engineering.de	



STABILITY – MINIMUM DEFLECTION



STABILITY
2 times lower deflection

Ingenieure für Ihre Visionen ■ Zuverlässigkeit ■ Sicherheit ■ Schnelligkeit			
Statische Berechnung Static Analysis		Datum: 04.03.2016 Lieferzeichn.-Nr.: 2016020404 Kunden-Nr.: 80902 Sachbearbeiter-Nr.: Uwe Rutenmund	
Auftraggeber: Everdeck SC Customer: Uł. Kluczborska 13B 46 243 BXGACICA POLEN			
Projekt: 2016-0144 Project: Stage platform 2x1 m			
<small>Nur gültig und rechtsverbindlich als Original mit Stempel und Unterschrift - Kopien sind nicht verbindlich Only valid and binding as an original document with stamp and signature - copies are illegal</small>			
		Expo Engineering GmbH Suerkamp 14 D-91930, Cadee Fon: +49 (0) 2520-93162-0 Fax: +49 (0) 2520-93162-220 www.expo-engineering.de	



LIGHTWEIGHT

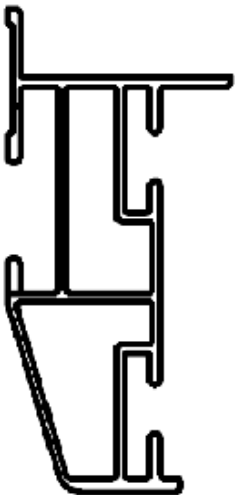


LIGHTWEIGHT

Only 32kg
for 2x1m deck



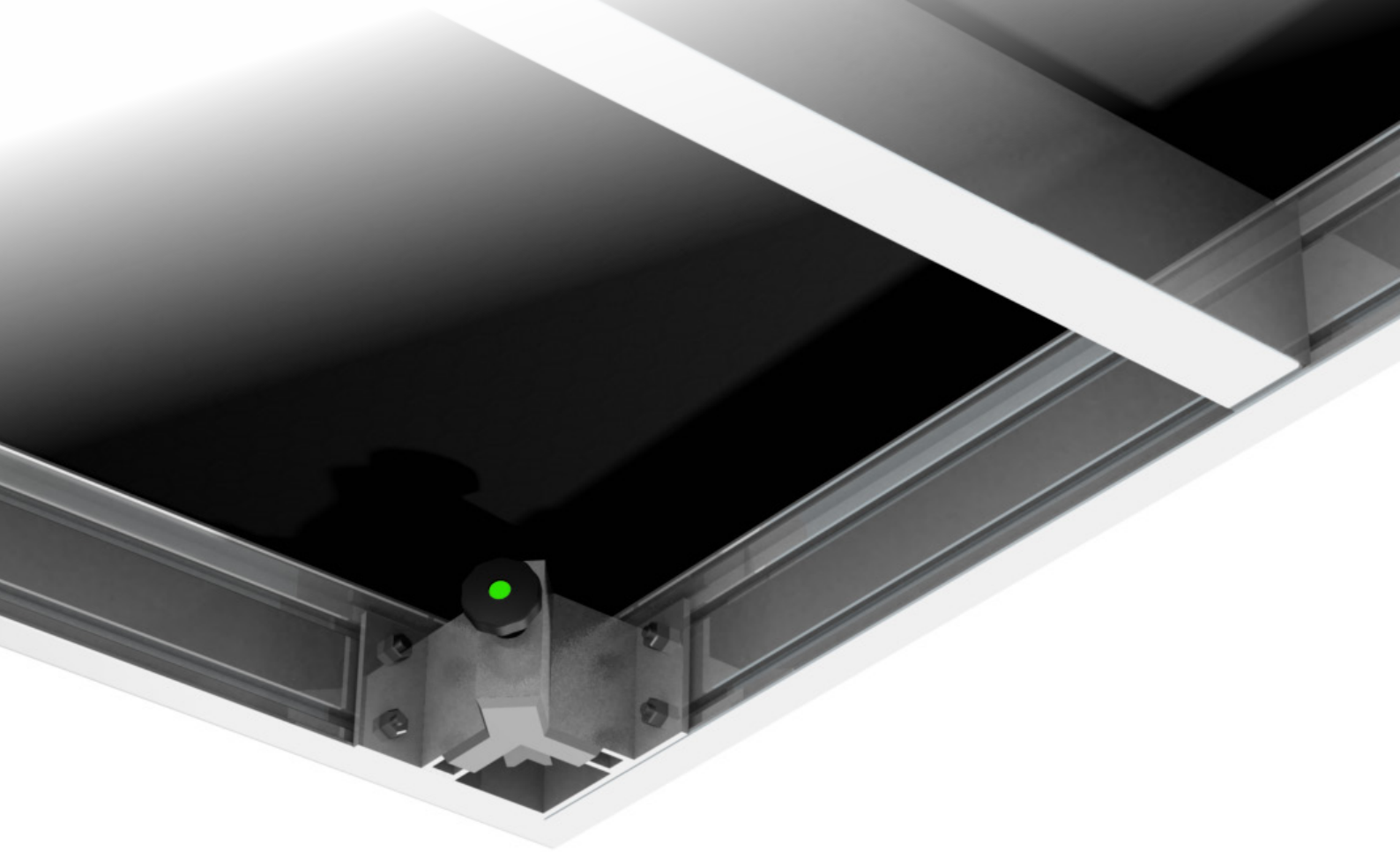
FLEXIBILITY COMPATIBLE PROFILE



Compatibility - with other leading brands.
Unirig gives you full flexibility!

Shape improvement - angle on the outside
compatible with Layher and Nivtec beam without
using any special adaptors.

Low storage costs - only 9cm stacking height



FLEXIBILITY

UNIVERSAL LEG CORNER

PROBLEM

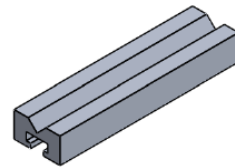
Main systems on the market provide legs 48,3 round, 50x50 square, 60x60 square. Usually to fit the leg corner you need to exchange pressure cube inside the corner.

In addition the pressure cube is really tiny that's why all force is going only to the longer screw and this is not providing great stability.

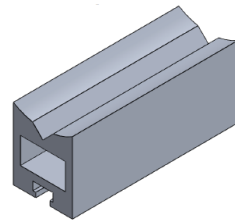
SOLUTION

Our new pressure cube is universal for above legs 50x50sq, 60x60 sq, and 48,3 round.

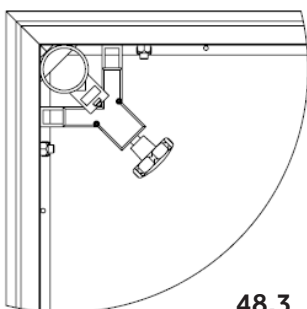
There is no need to exchange anything! To achieve this we have extended our corner. No matter what type of the leg we will use the pressure cube is always staying inside of the corner profile to give max stability.



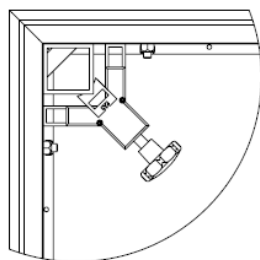
Standard pressure cube



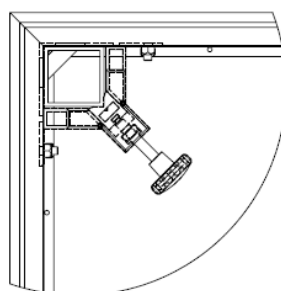
Special pressure cube



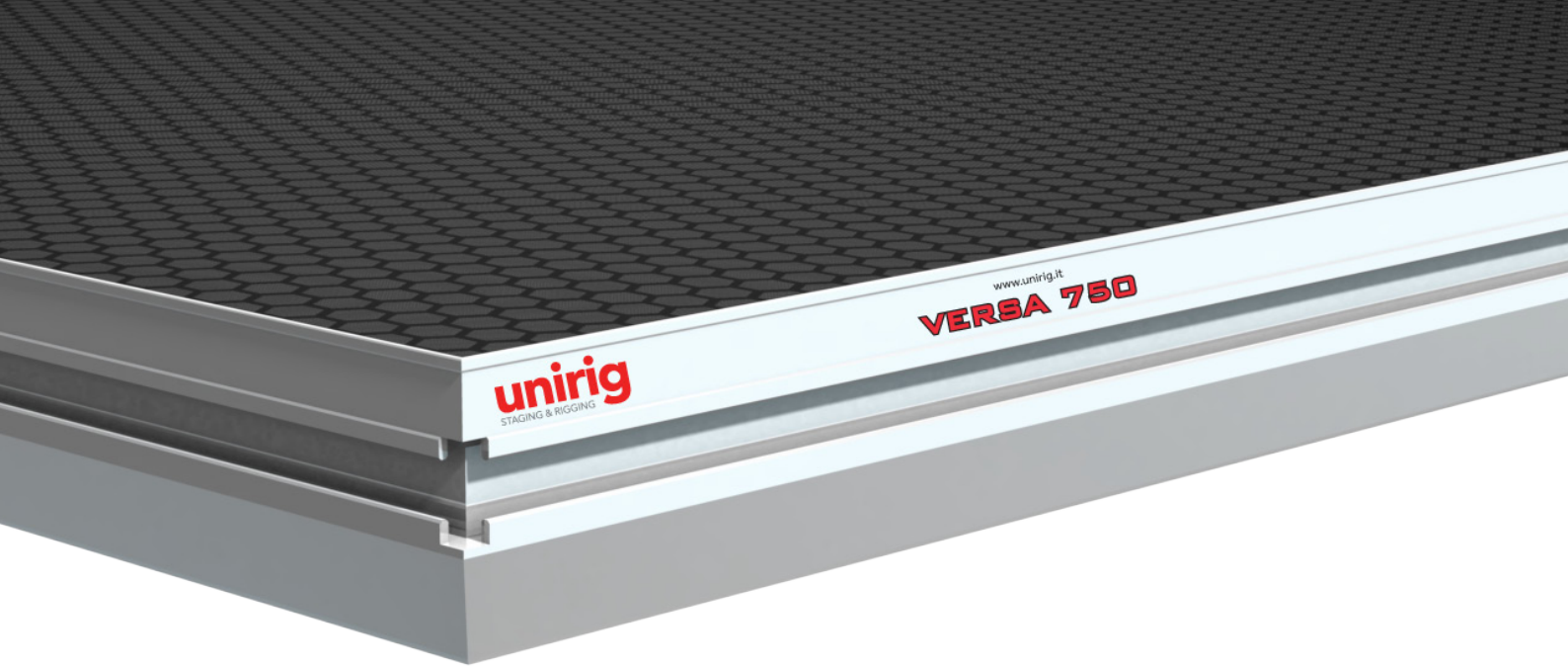
48,3



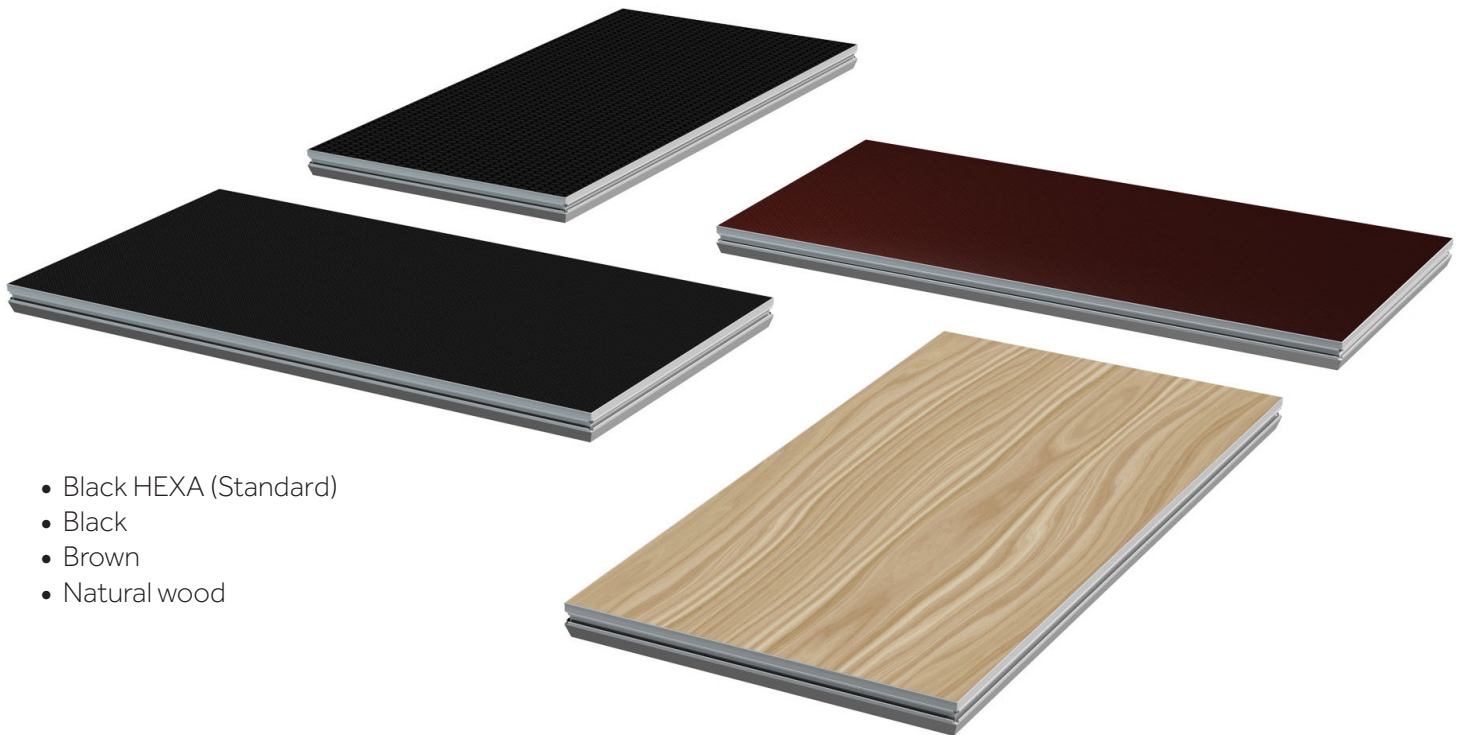
50x50



60x60



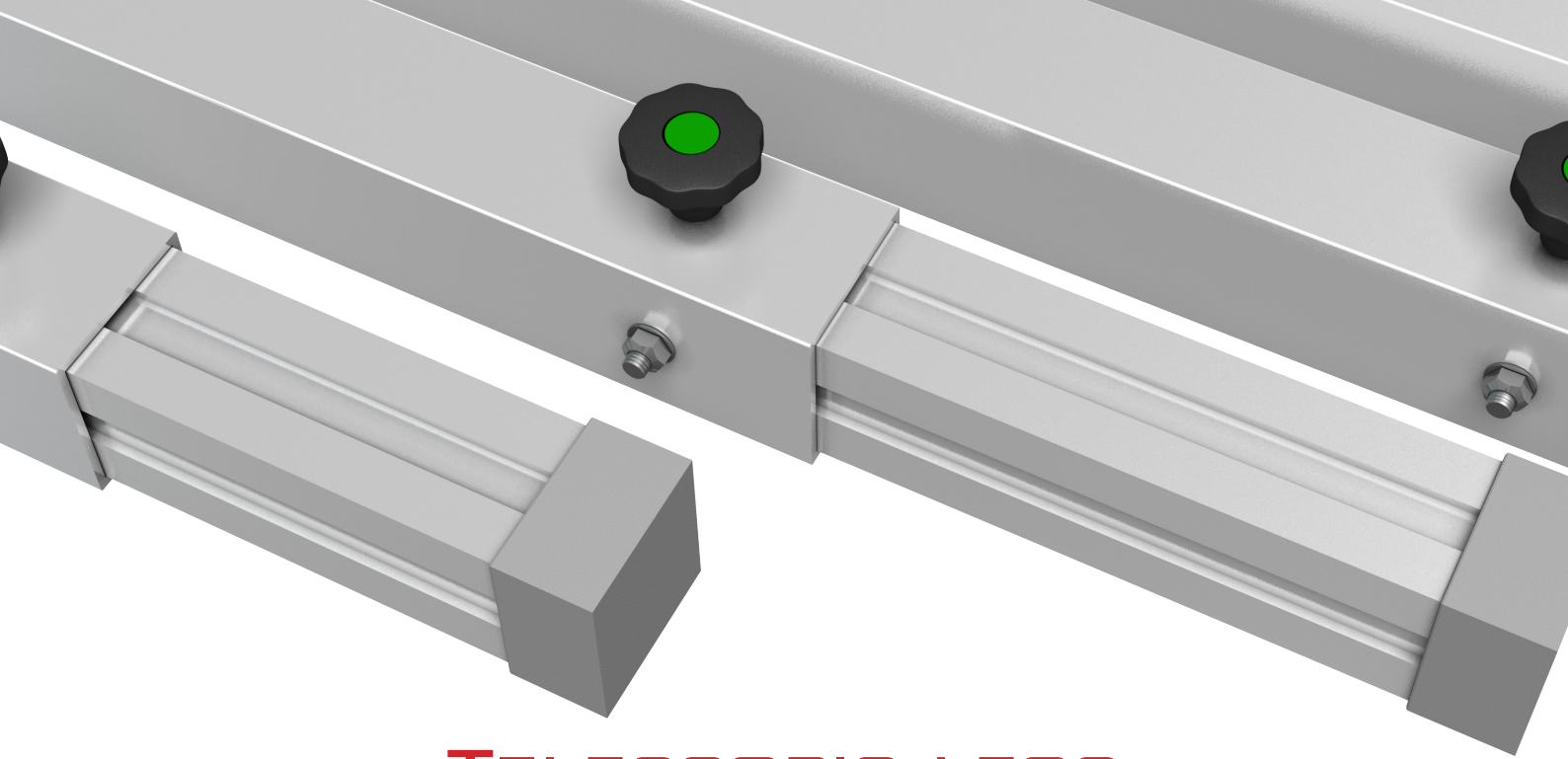
AVAILABLE FINISHES



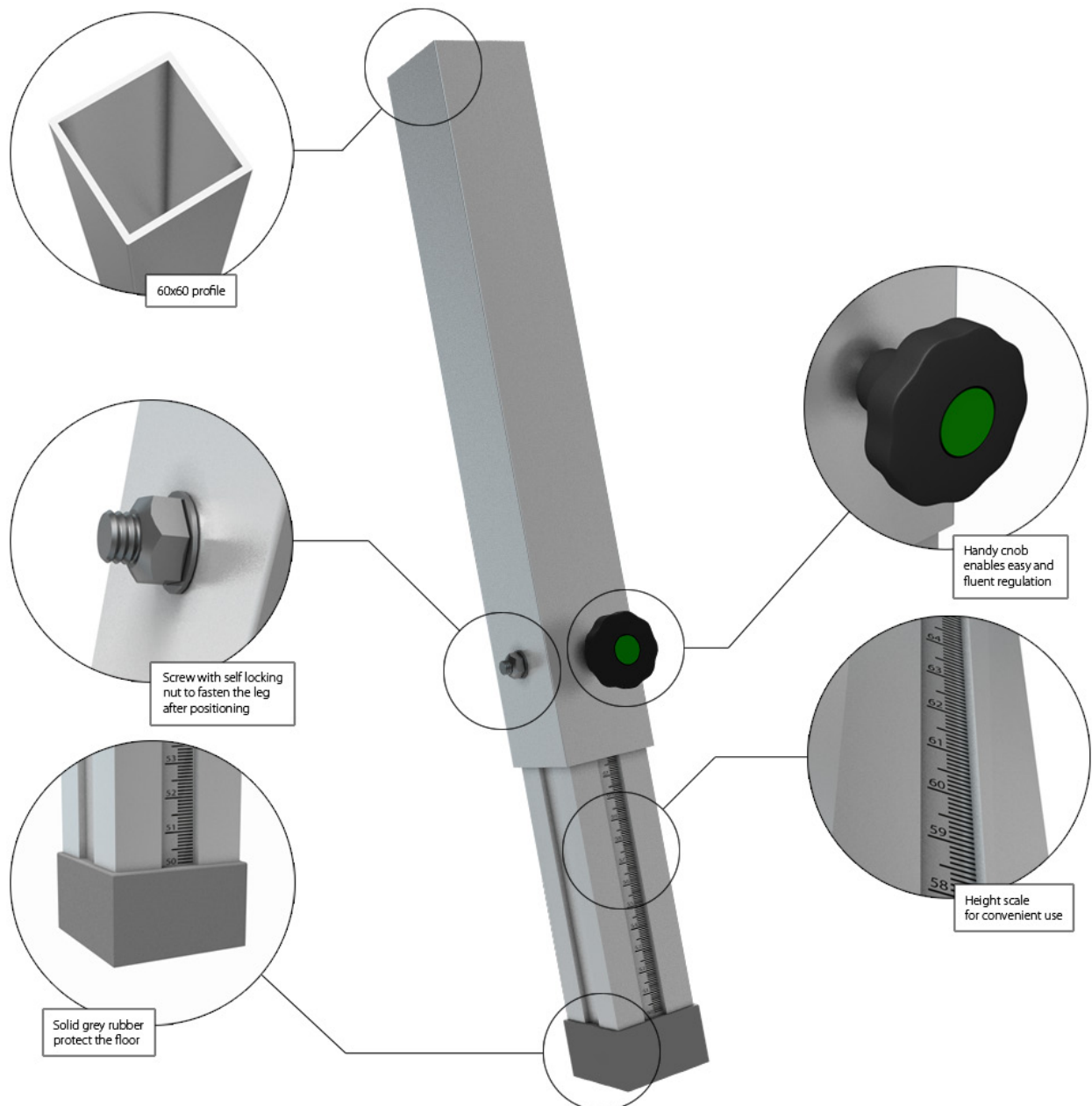
- Black HEXA (Standard)
- Black
- Brown
- Natural wood

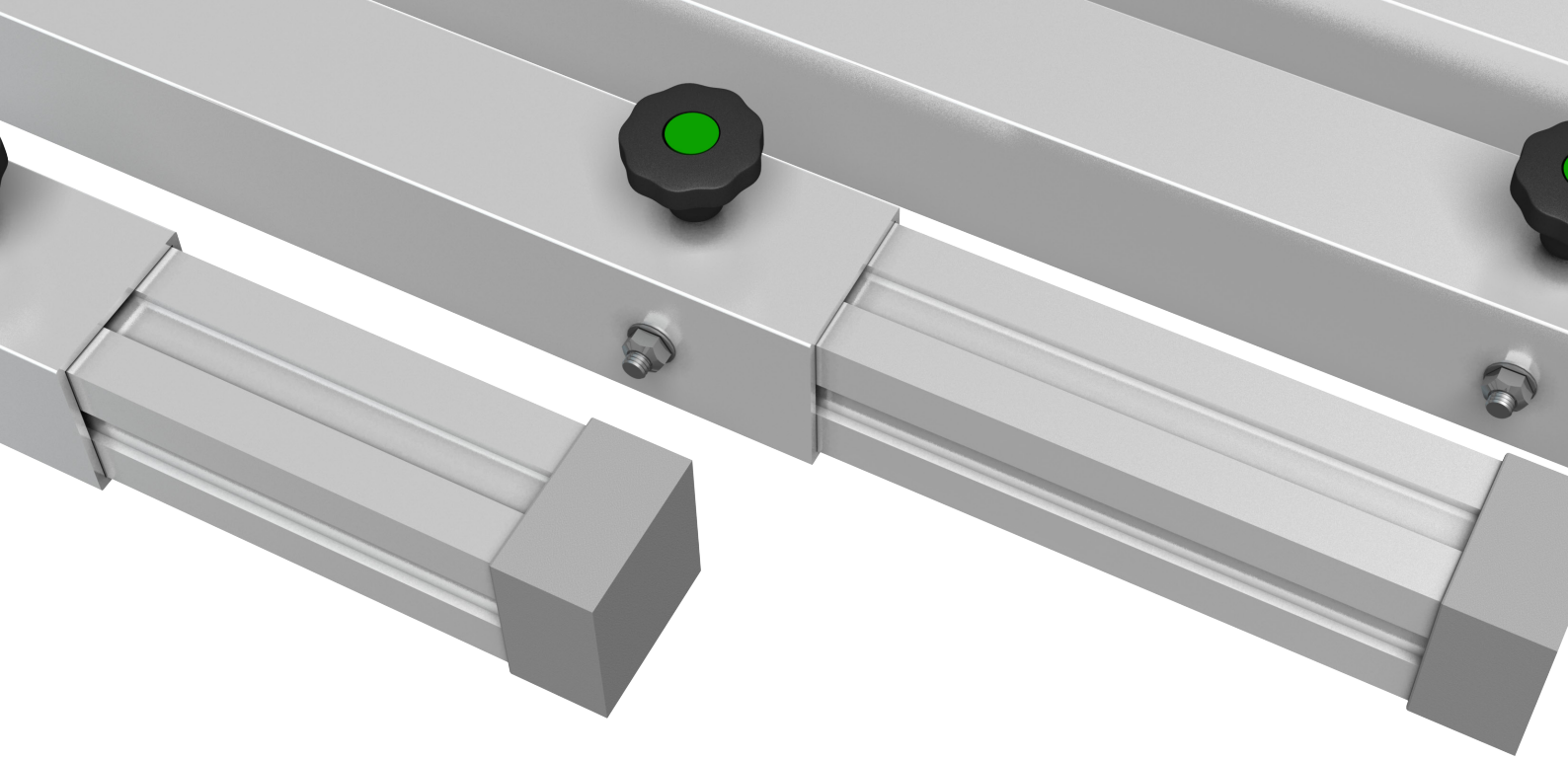


- transparent
- black plexi
- white plexi

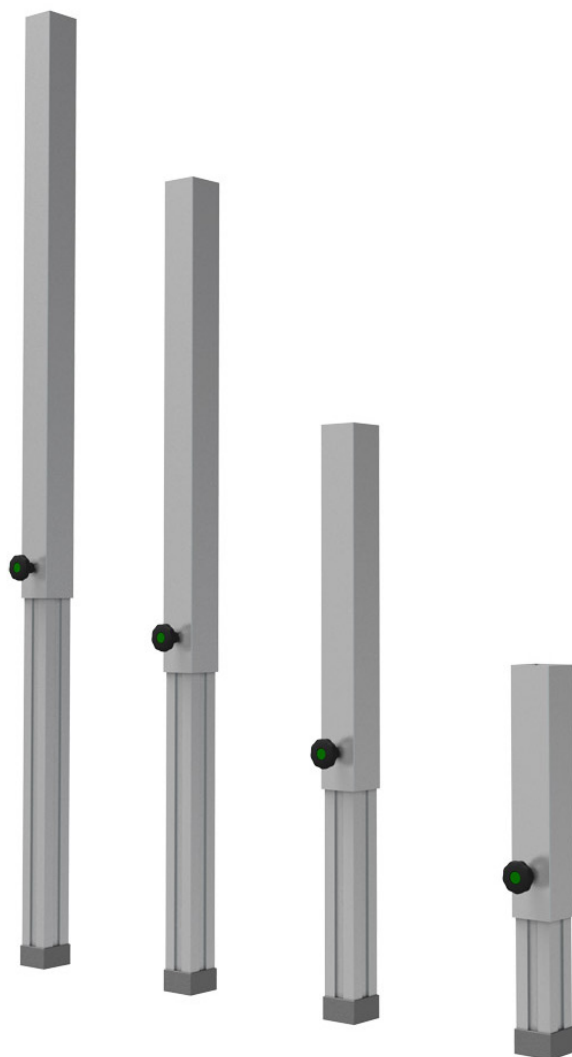


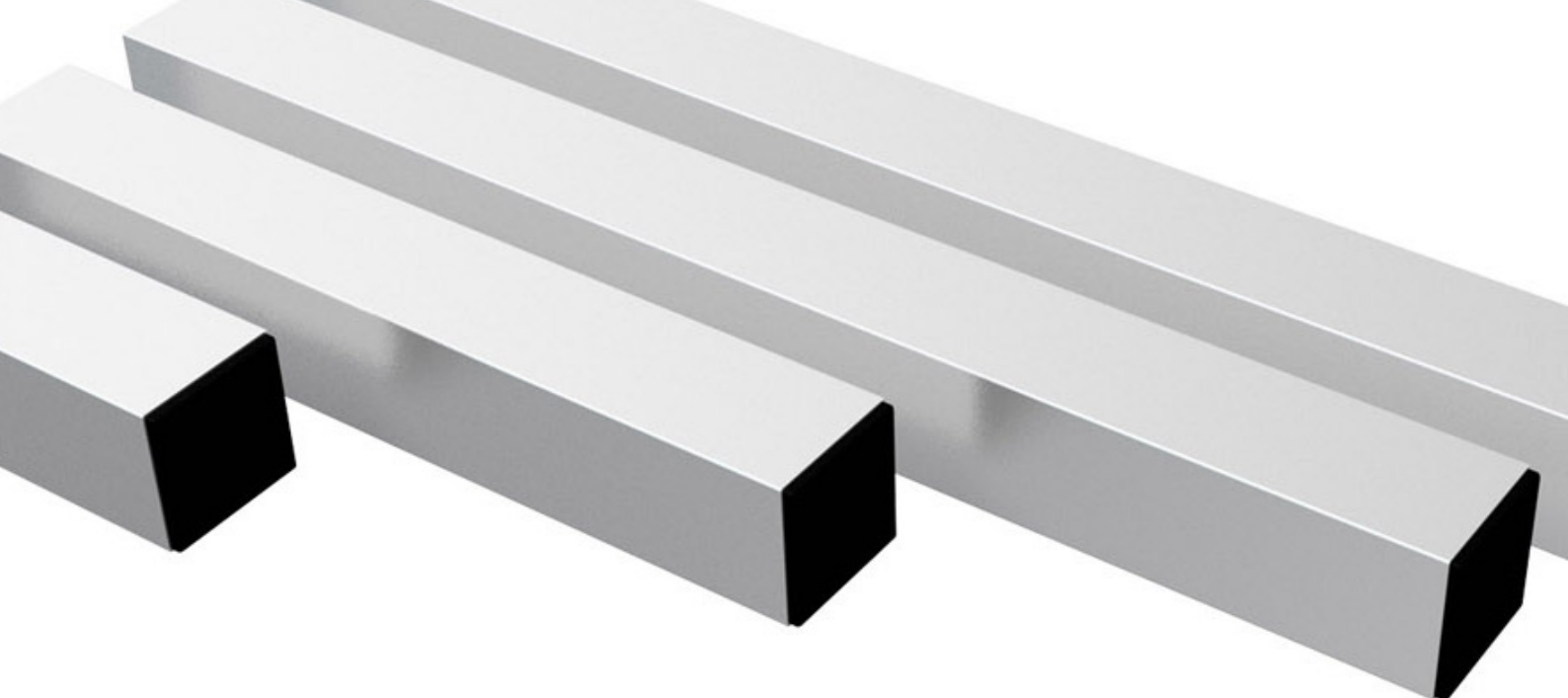
TELESCOPIC LEGS



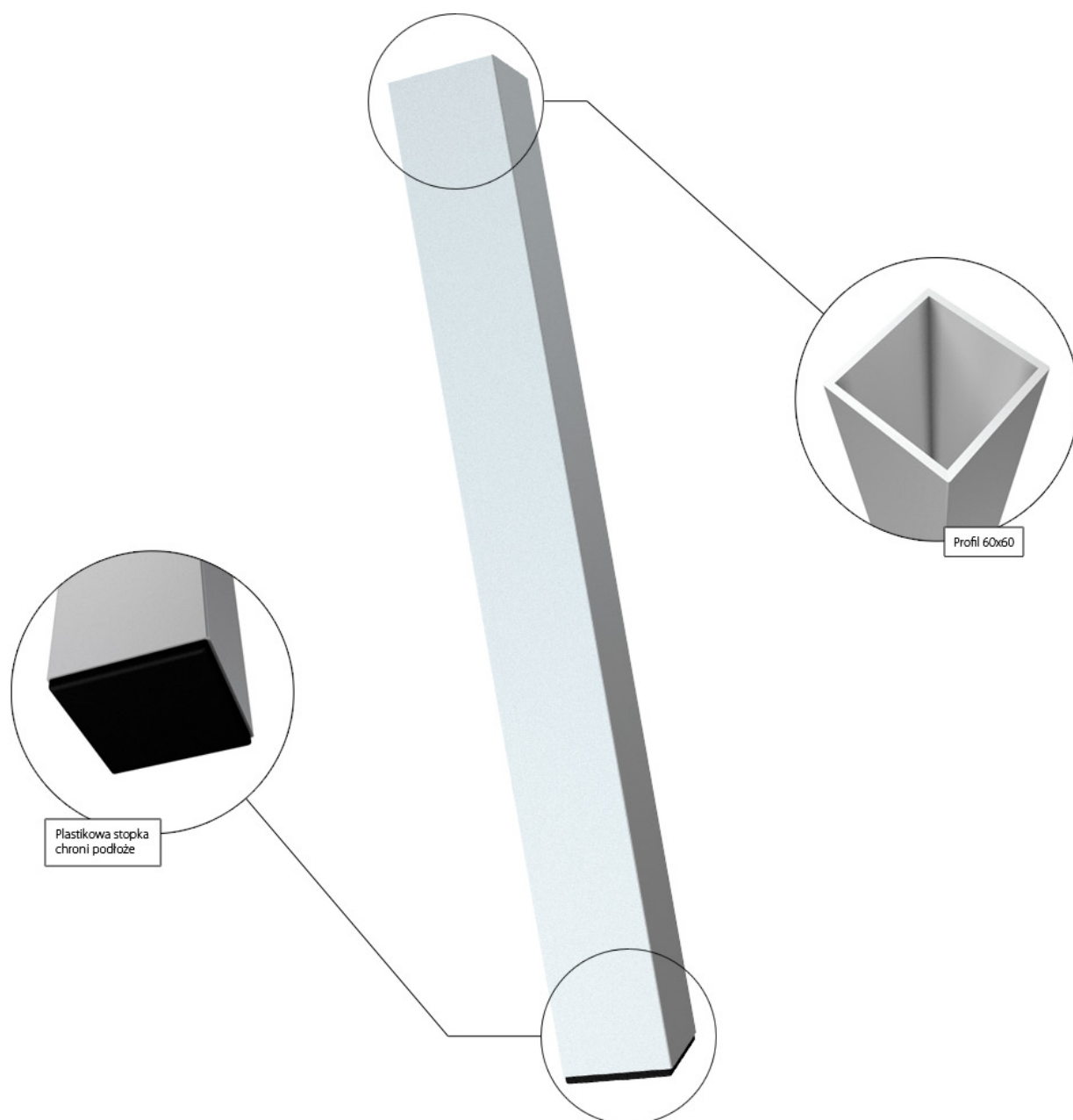


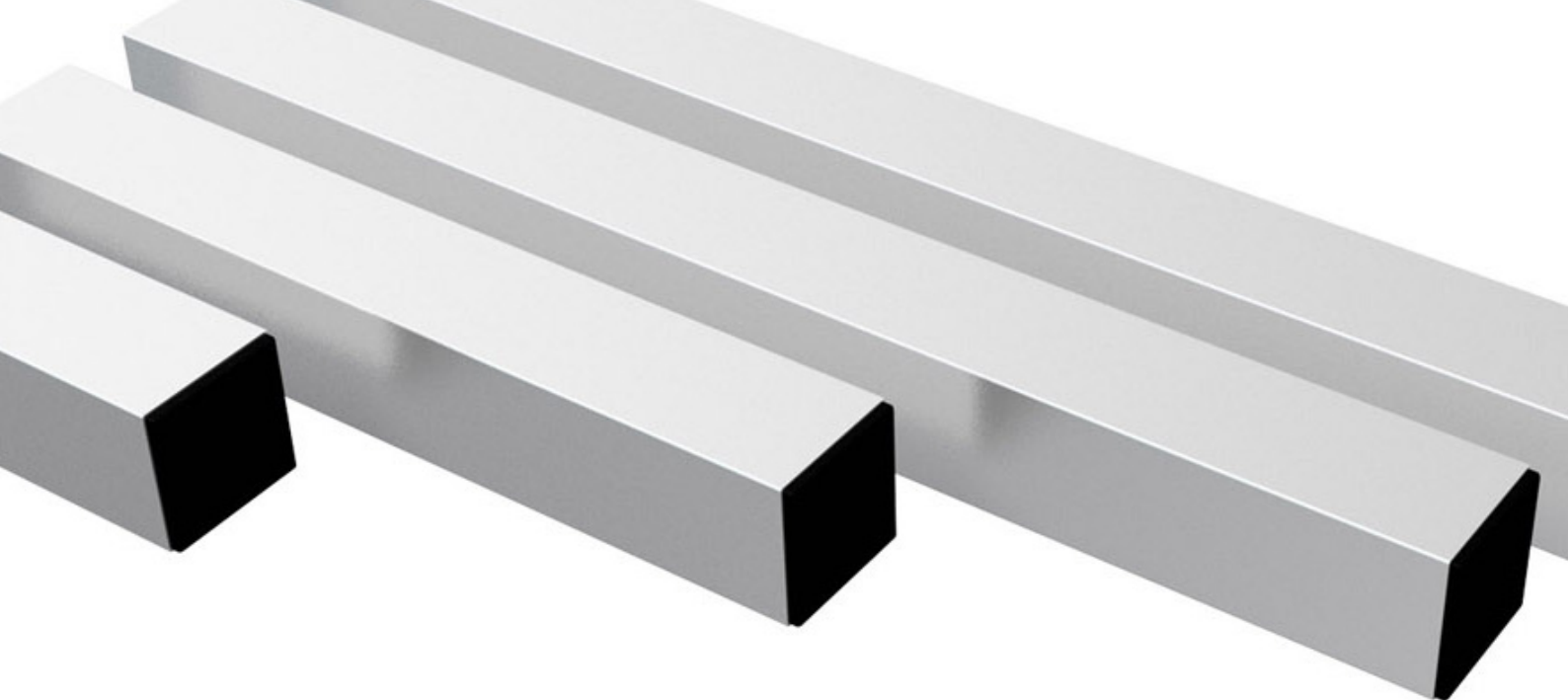
PRODUCT CODE	HEIGHT in cm (H)	SUITABLE FOR
VTL40	40-60	VERSA750
VTL60	60-100	
VTL80	80-140	
VTL100	100-180	



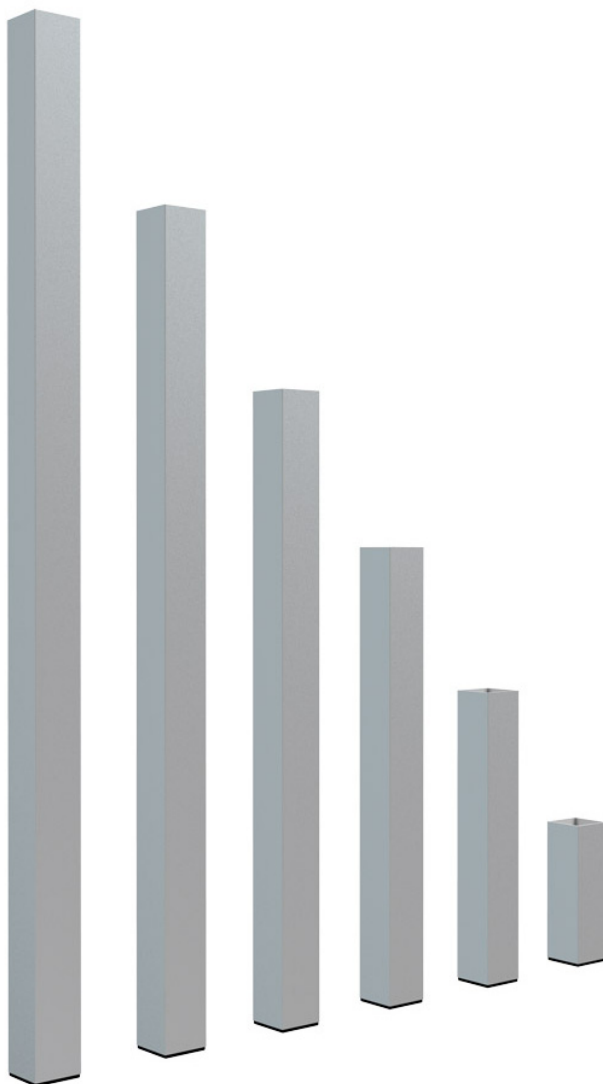


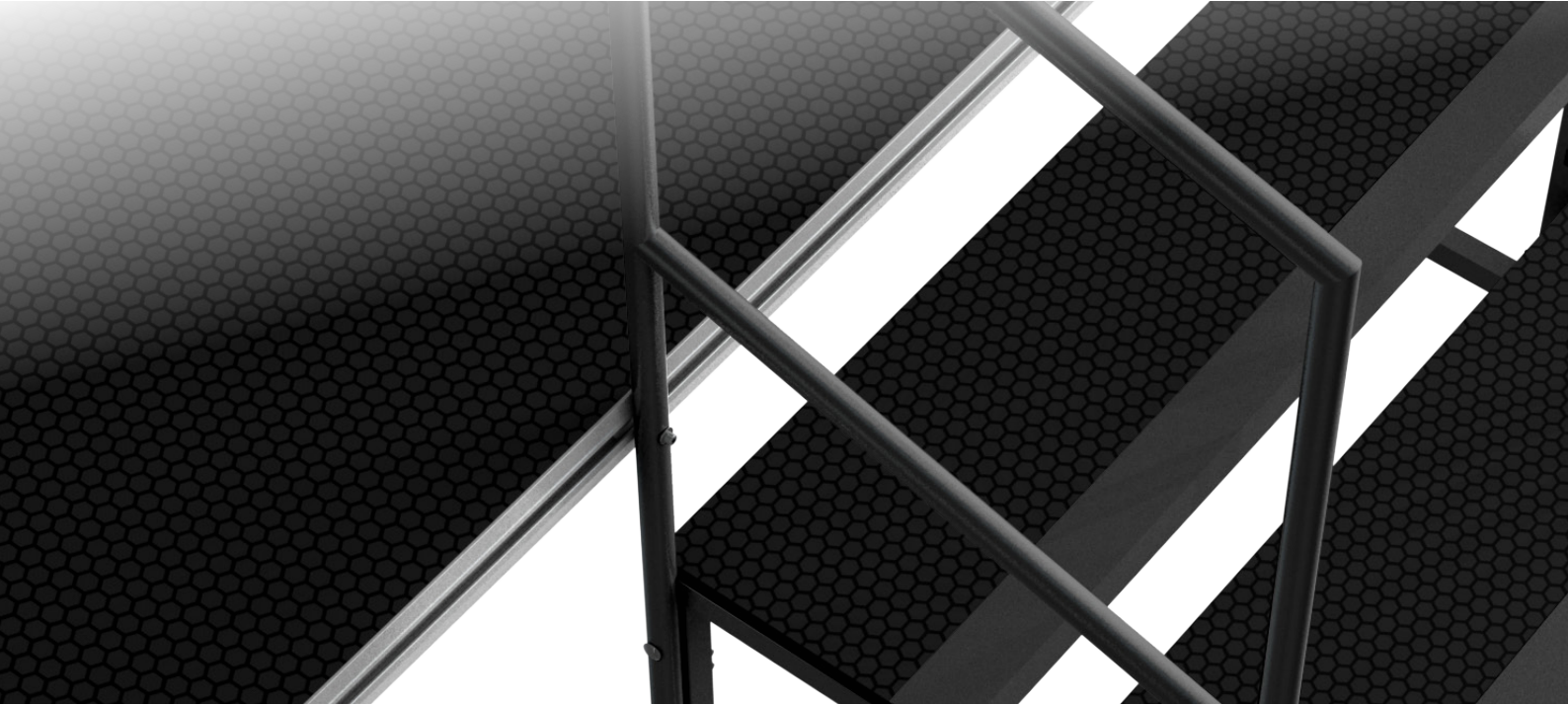
SET LEGS





PRODUCT CODE	HEIGHT in cm (H)	SUITABLE FOR
VFL20	20	VERSA750
VFL40	40	
VFL60	60	
VFL80	80	
VFL100	100	
VFL120	120	

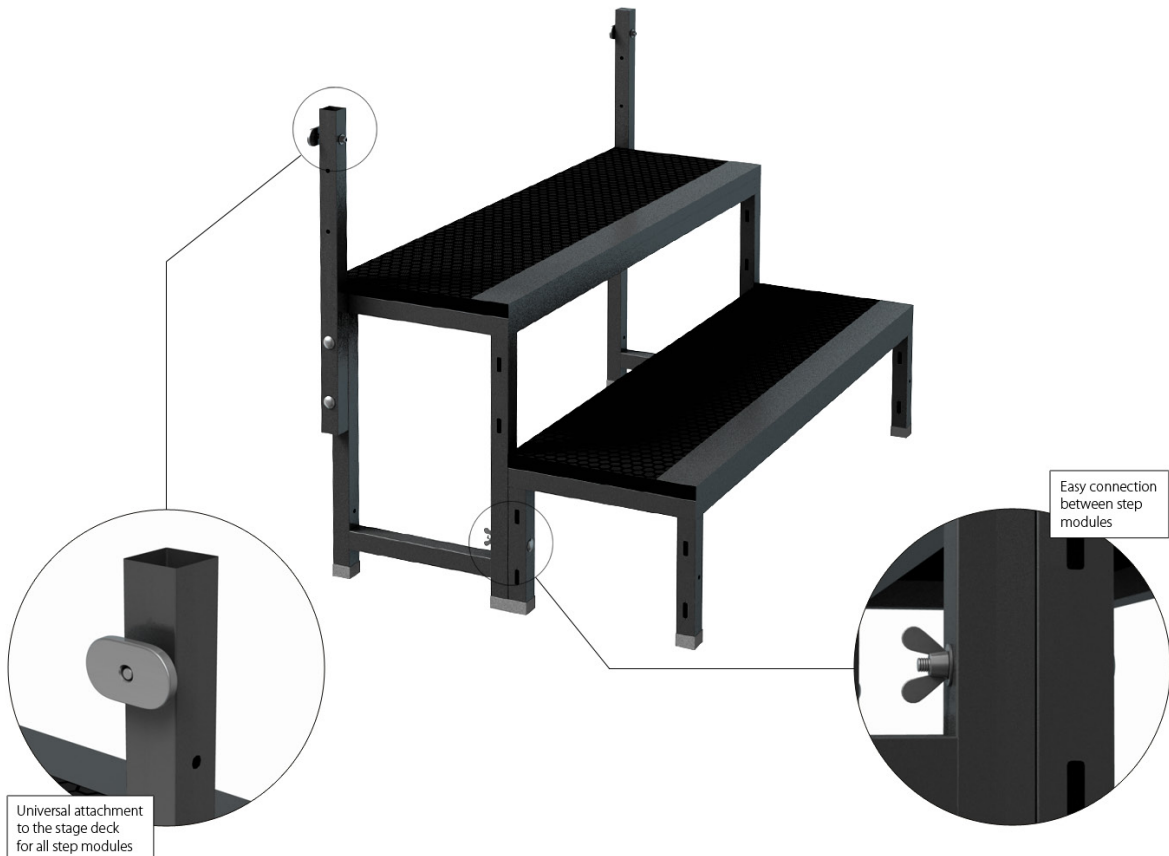




MODULAR STAIR STEPS

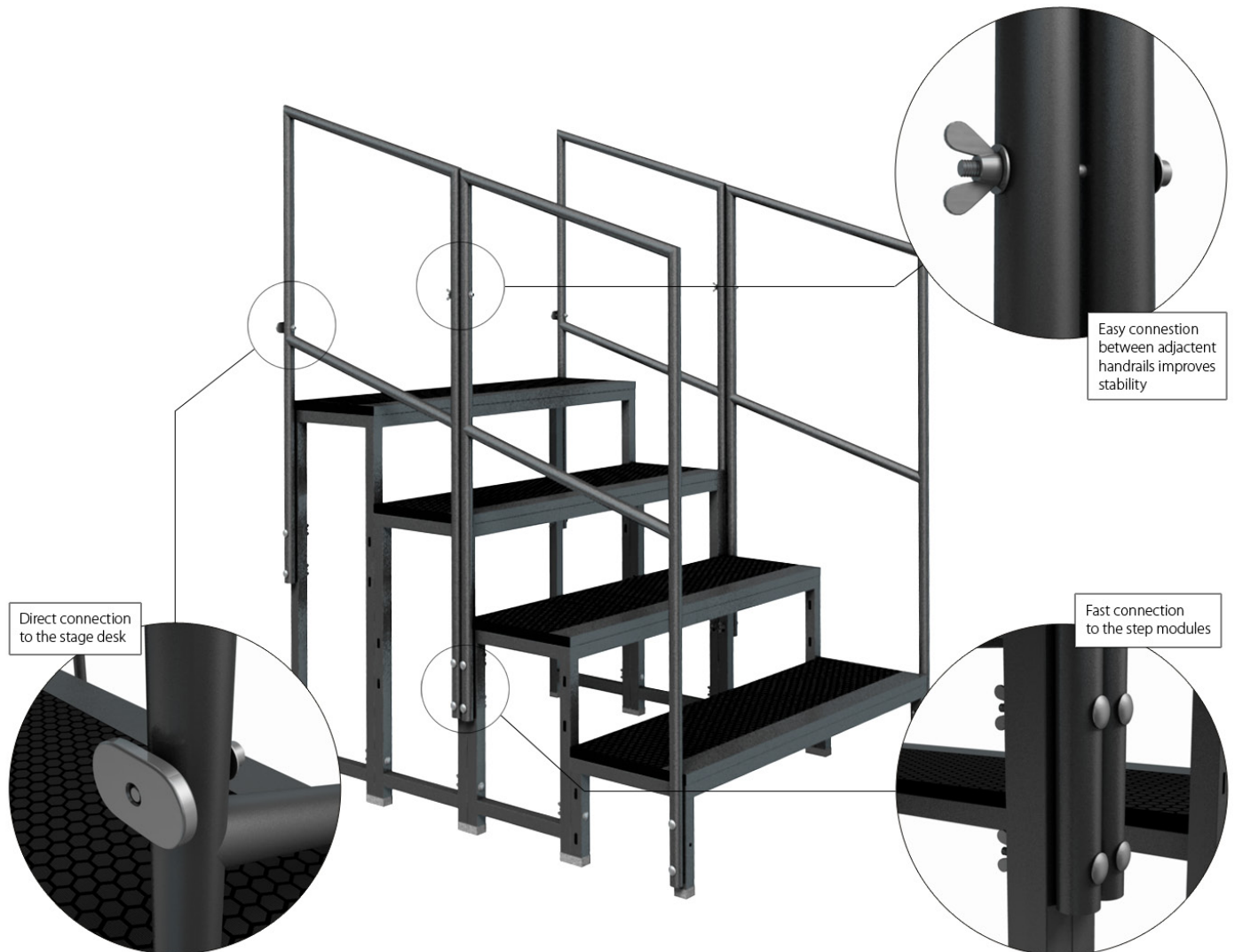
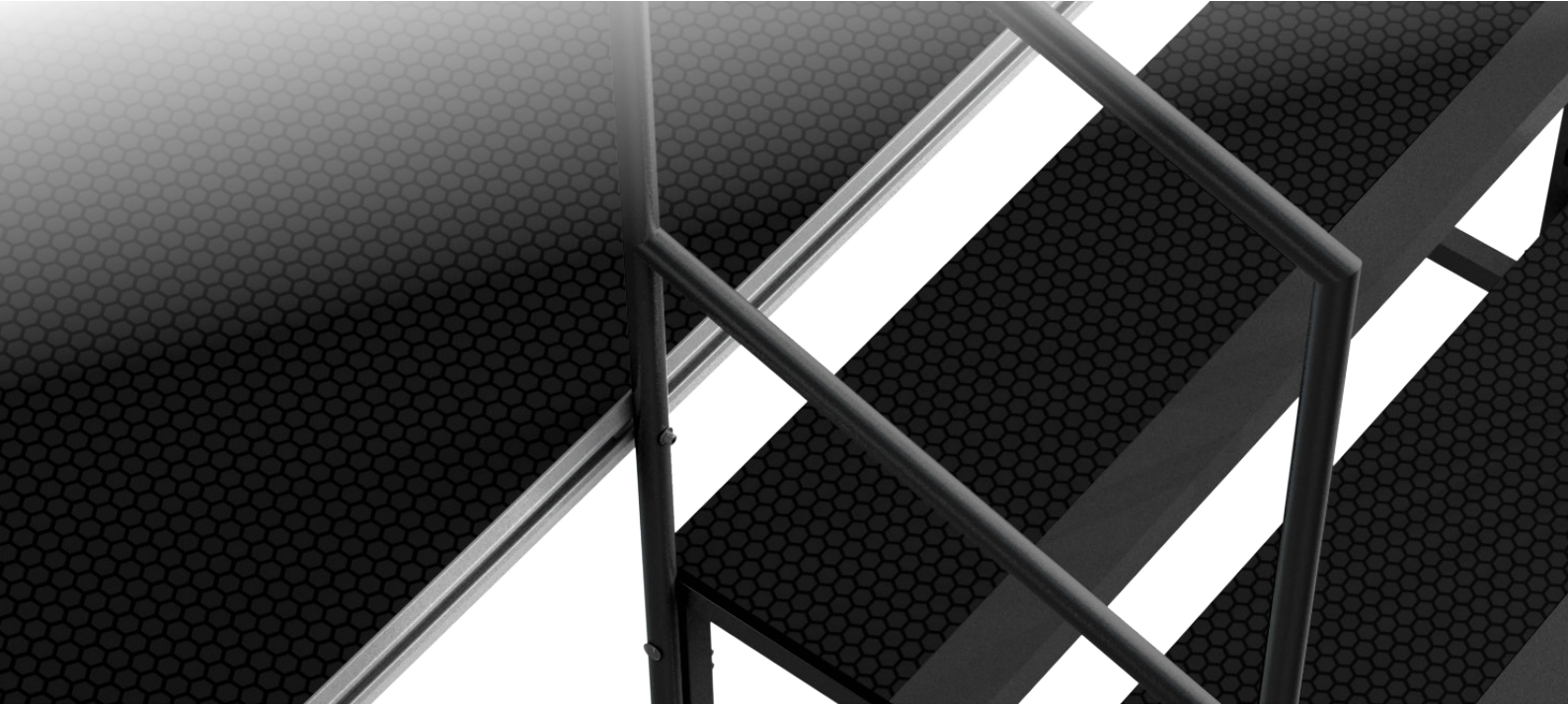


Different step modules can be used separately or together for several stage heights

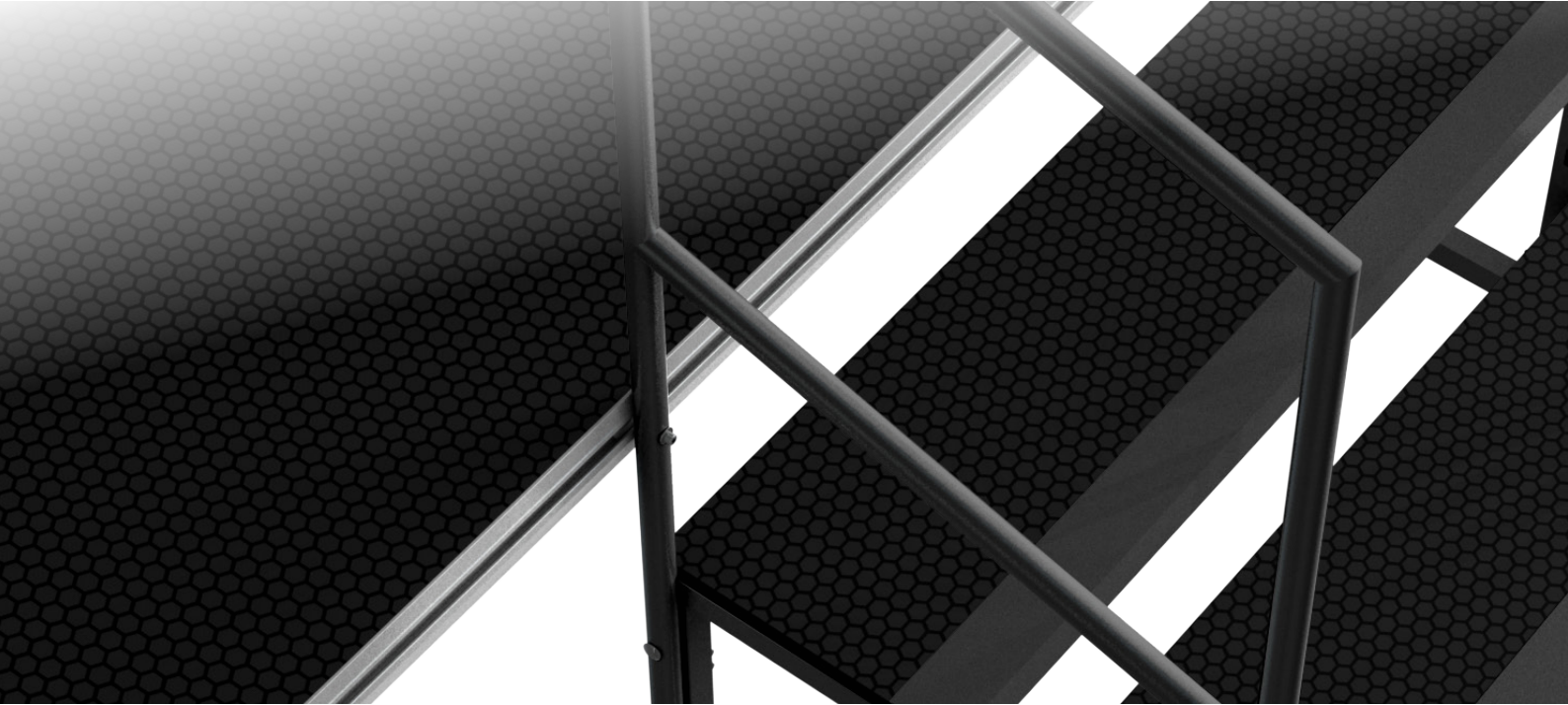


Universal attachment to the stage deck for all step modules

Easy connection between step modules



Handrail for modular stairs, assembled on two adjacent steps



VSM20
Modular stair step 20cm



VSM40
Modular stair step 40cm



VSM60
Modular stair step 60cm



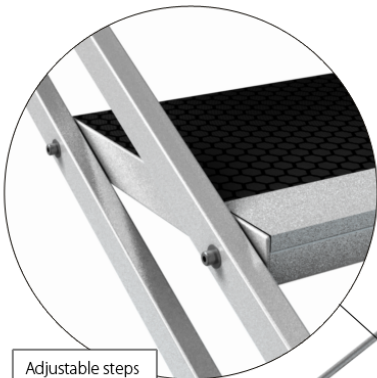
VSM80
Modular stair step 80cm



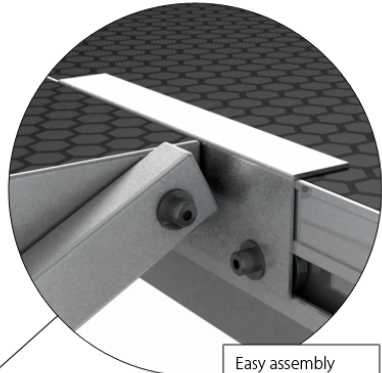
Modular stairs handrail



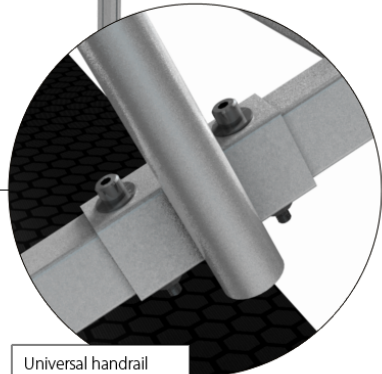
ADJUSTABLE STAIRS



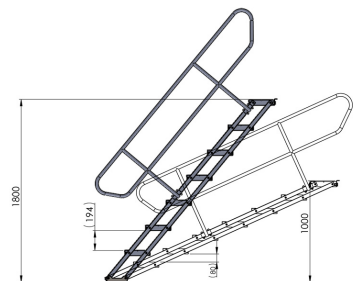
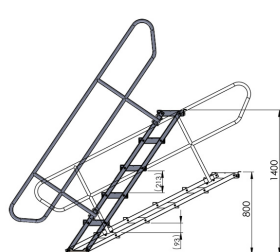
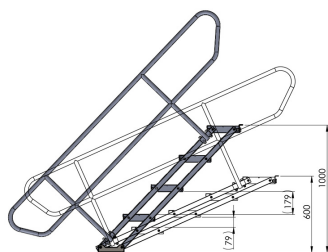
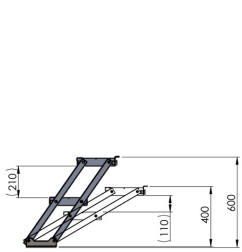
Adjustable steps
for fluent height
regulation



Easy assembly
to VERSA 750 deck



Universal handrail
suitable for adjustable
stairs with 4, 5
and 7 steps



VAS-2
2 step adjustable stair
40-60cm

VAS-4
4 step adjustable stair
60-100cm

VAS-5
5 step adjustable stair
80-140cm

VAS-7
7step adjustable stair
100-180cm

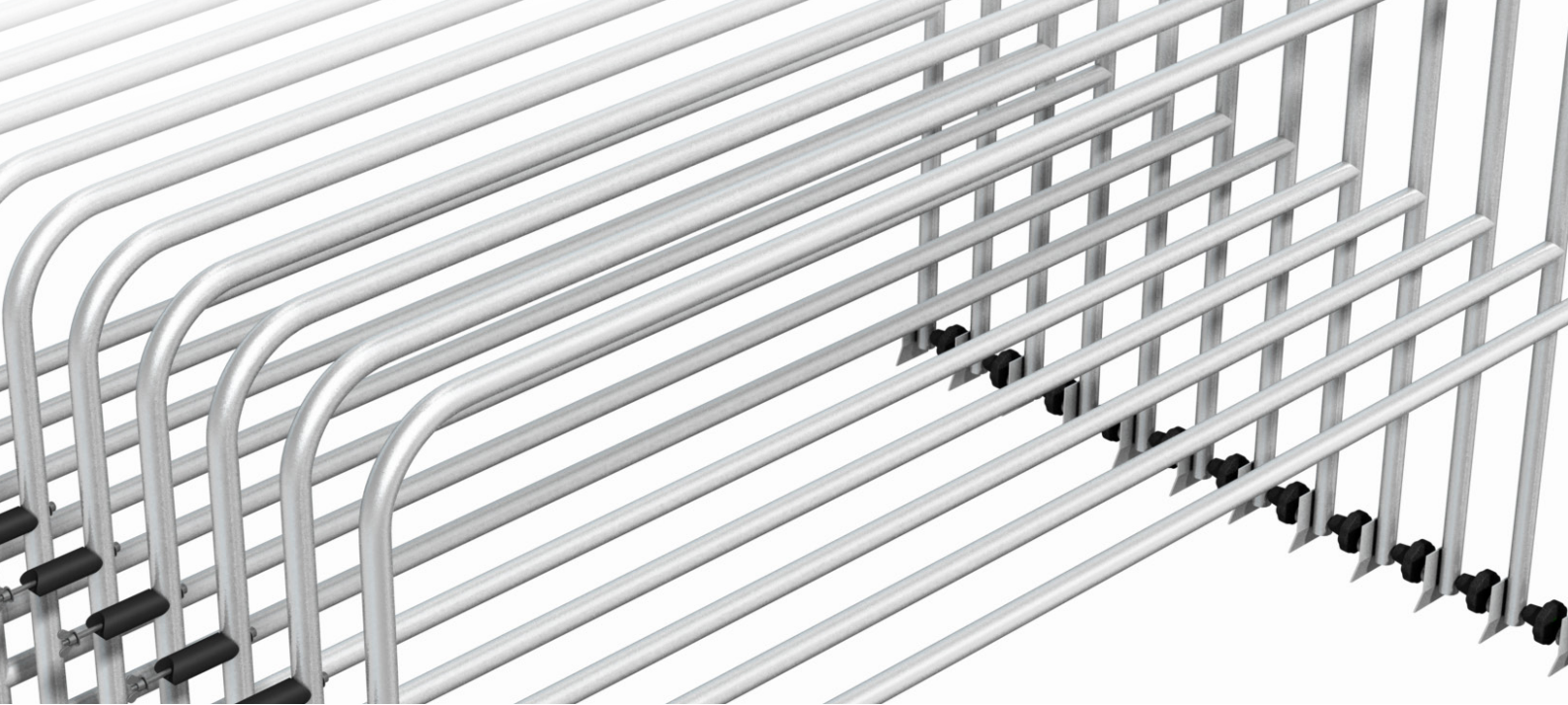


VASH-L
Adjustable stair handrail left

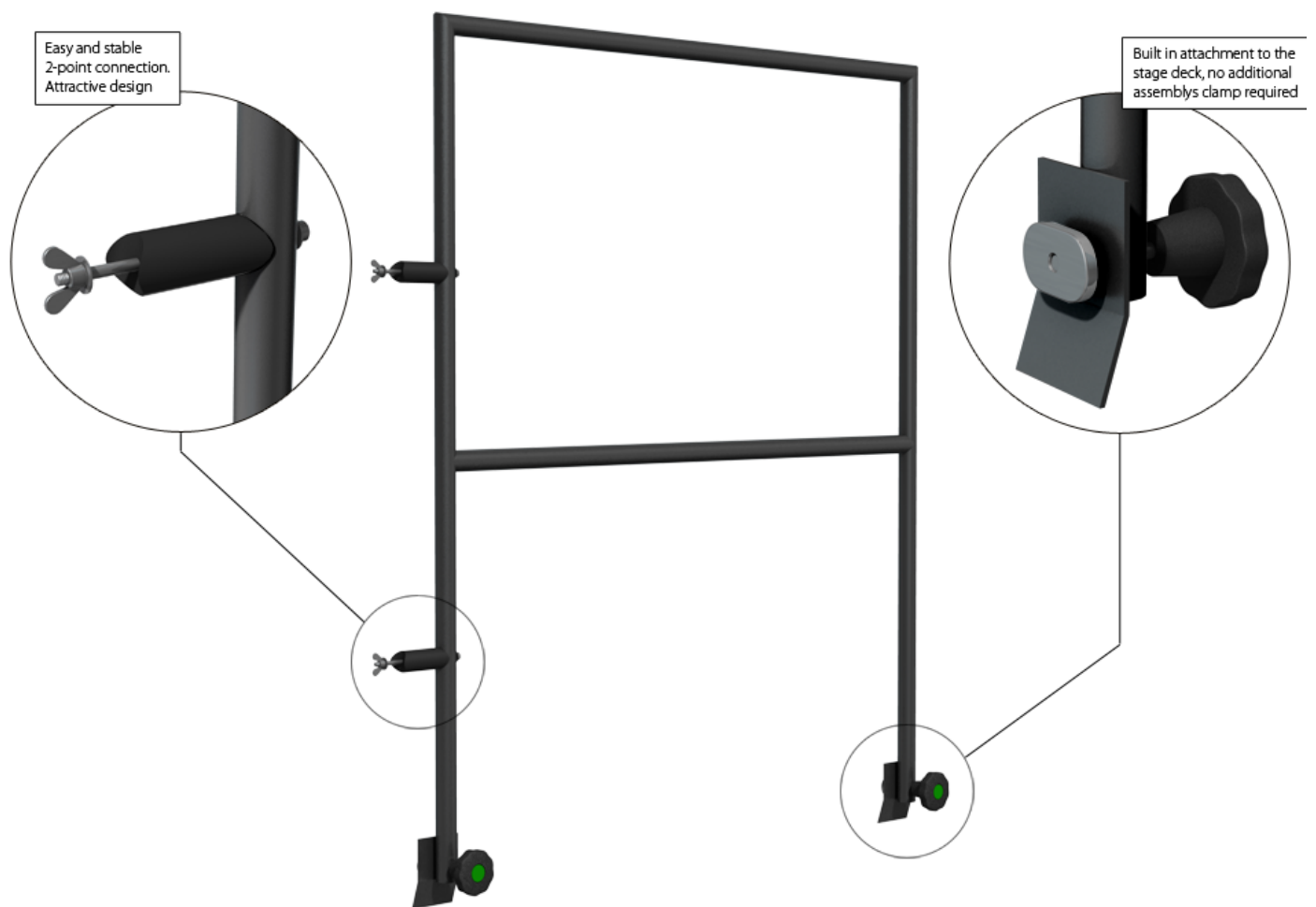


VASH-R
Adjustable stair handrail right

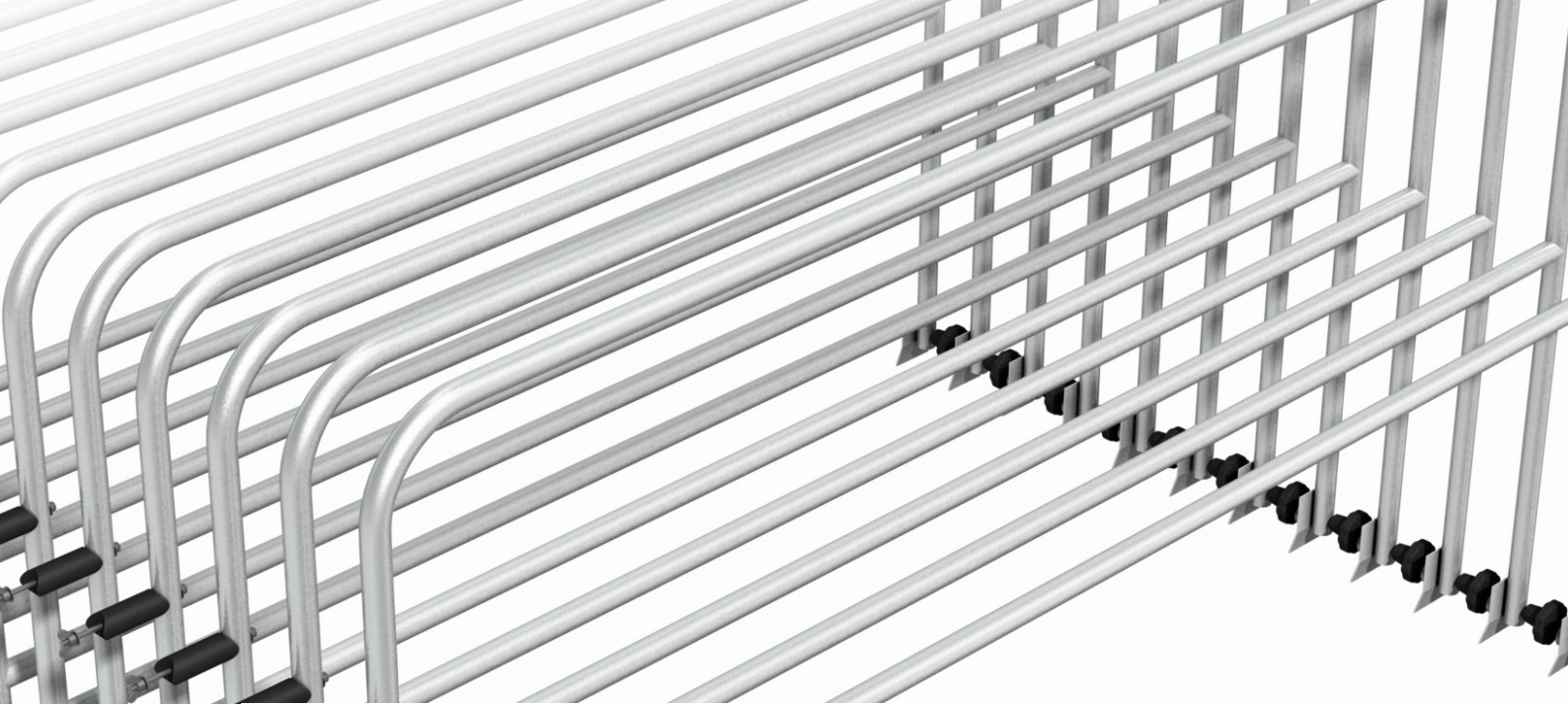
Adjustable stair handrails are universal for 4, 5 and 7 step handrails.



STAGE HANDRAILS



2m and 1m steel handrails for stage decks, galvanized or with black powder coating.
For standard use with no public access (30kg/m).
Other lengths on request.



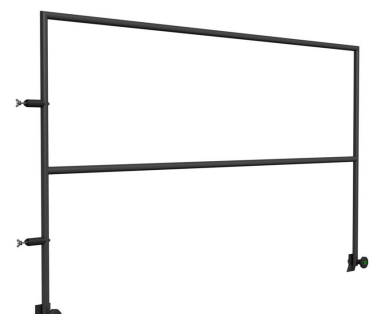
Standard handrails



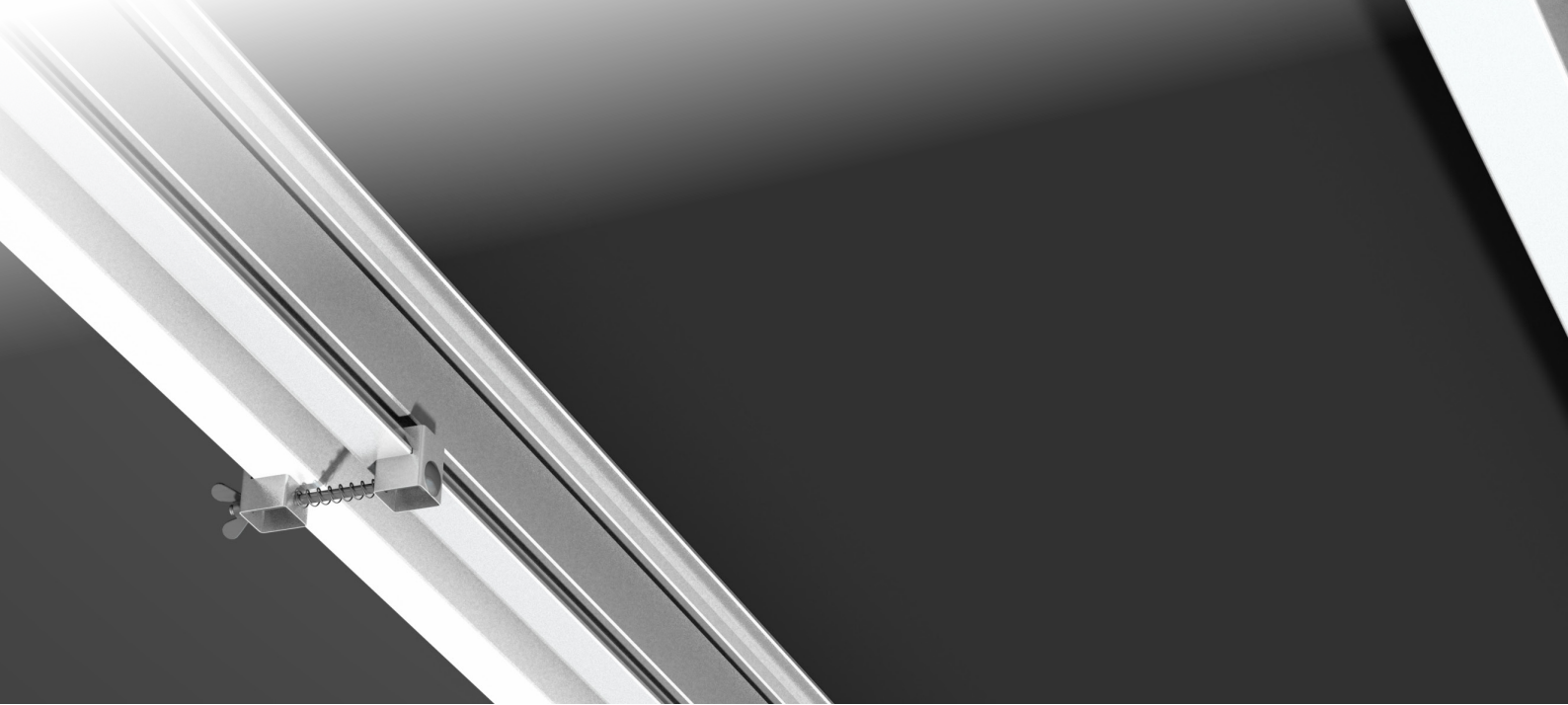
VH0.5
Stage handrail 0,5m



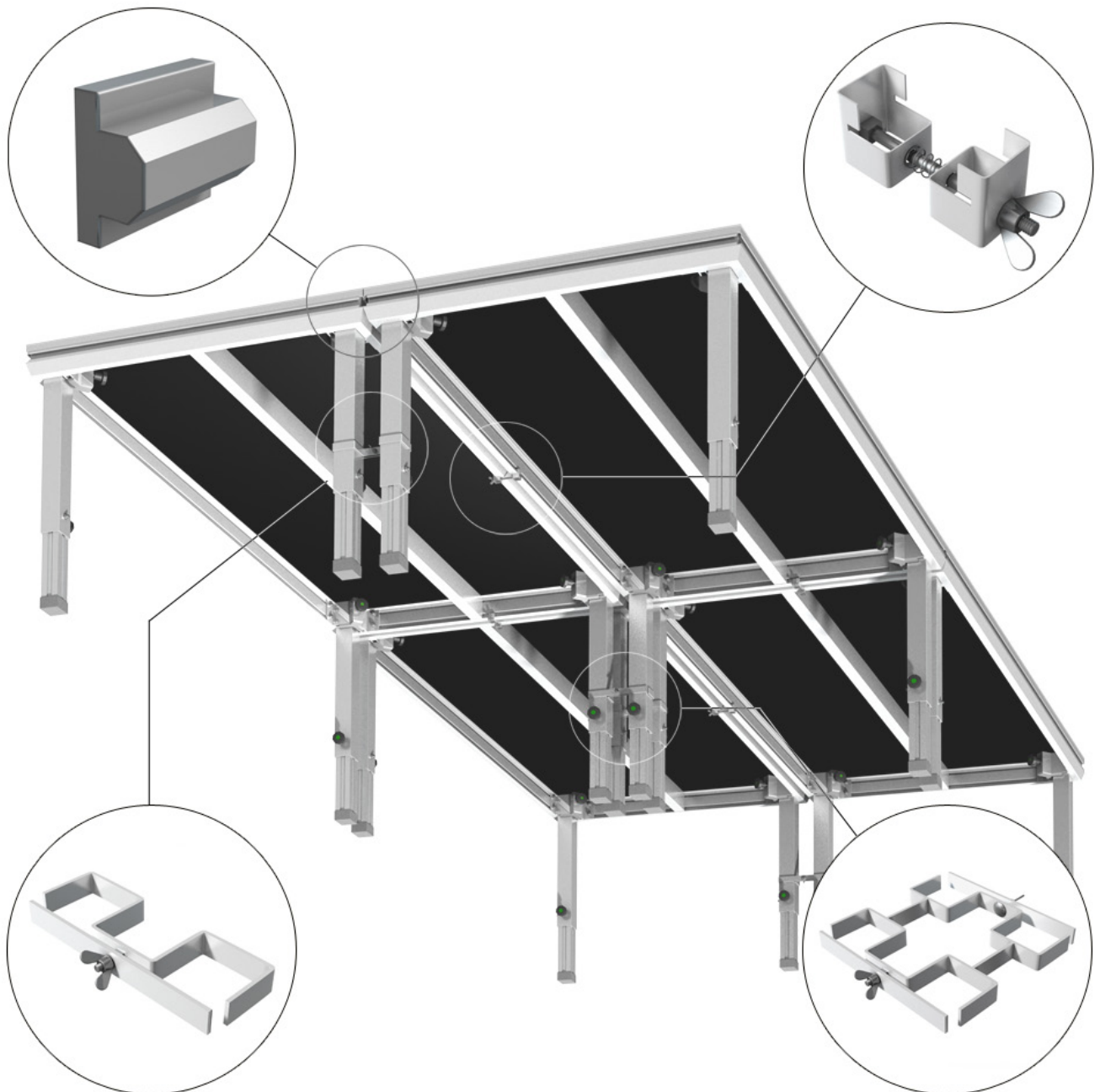
VH1
Stage handrail 1,0m

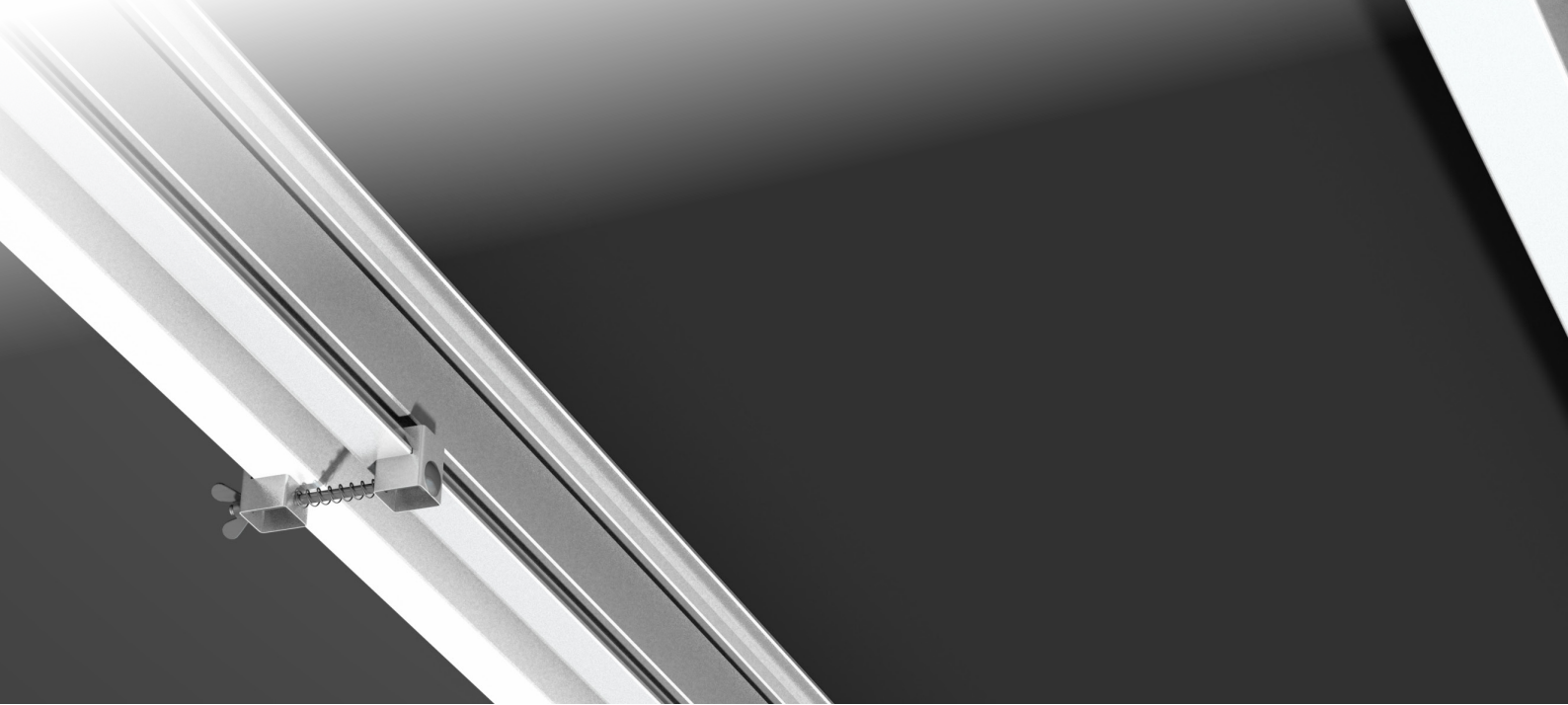


VH2
Stage handrail 2,0m

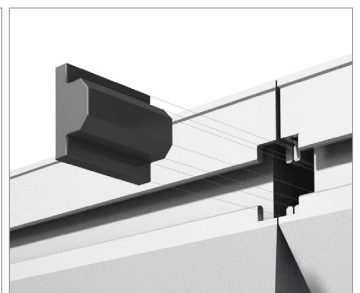
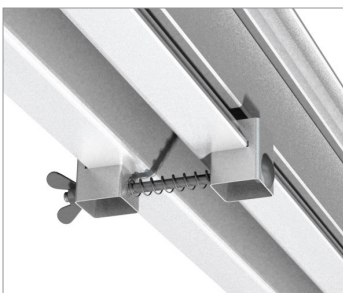
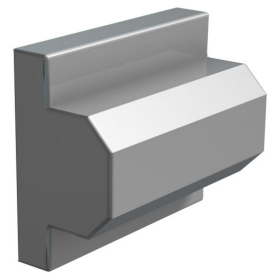
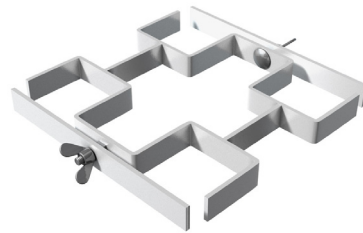


CLAMPS AND ACCESSORIES





We have designed our stage deck series in order to minimize the quantity of accessories which are needed to build the stage. You need only 4 loose connection accessories to build a whole stage system. It makes your assembly much easier and saves your time.



Deck 2 Deck clamp
Connection clamp to connect two adjacent stage decks.

Recommended quantities
– 2 pcs for 2m connection side and 1 pcs for 1m side.

Leg 2 Leg clamp
Steel clamp for connection between 2 adjacent stage legs

4 leg clamp
Steel clamp for connection between 4 adjacent legs

Leveling insert
Leveling insert to keep adjacent decks on the same level on an uneven ground



TRANSPORT TROLLEYS



VTT – deck trolley
Transport trolley enables to carry up to 15 pcs
of 2x1m VERSA 750 decks



VDT – door transport trolley
Transport trolley for up to 6 pcs of VERSA 750
decks in vertical position