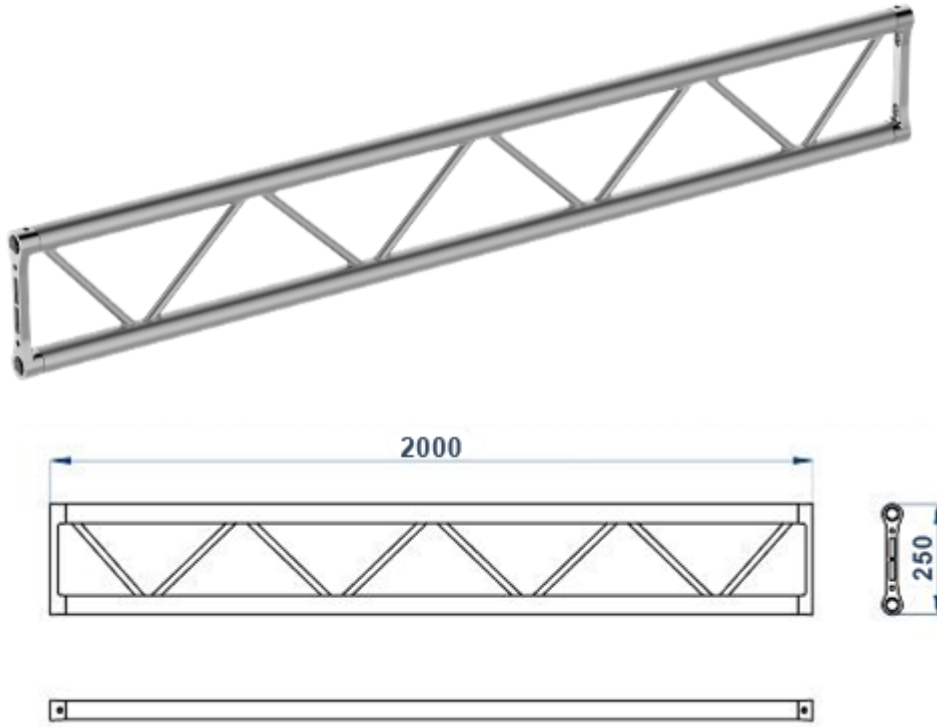


P25L

Ladder truss 25cm side, plate connection for conical spigots and bolts

Traliccio duo sezione 25cm, connessione a piastra per giunto conico e bulloni


STRAIGHTS - LINEARI [Kg]

P25L 050	L= 50cm	2,1
P25L 100	L= 100cm	3,5
P25L 150	L= 150cm	4,5
P25L 200	L= 200cm	5,5
P25L 250	L= 250cm	6,5
P25L 300	L= 300cm	7,7
P25L 350	L= 350cm	8,8
P25L 400	L= 400cm	10
PLKS	(coupling set)	0,4
PLKS08	(coupling set) with 2 screws and bolts)	0,1

CORNERS - ANGOLI [Kg]

P25L 2L90V	2V 90° Vertical	2,4
P25L 2L90	2V 90° Horiz.	3,1
P25L 3L	3V 90°	4,4
P25L 3T	3V 90° - T	4,4
P25L 4T	4V 90° - T	5,8
P25L 4X	4V 90°	6,2

SPAN - CAMPATA (with spigots)

Lenght	UDL	CPL	Defl.
[m]	[kg/m]	[kg]	[cm]
4	75	150	0,9
6	30	90	2,0
8	15	60	3,4
10	8	40	5,1
12	5	24	7,7

SPAN - CAMPATA (with screws and bolts)

Lenght	UDL	CPL	Defl.
[m]	[kg/m]	[kg]	[cm]
4	36	72	0,3
6	13	40	0,7
8	6	22	1,3
10	2	10	2,0

Main Tubes - Tubi Correnti: EN AW-6082 T6 Ø50x2mm
 Diagonals - Diagonali: EN AW-6082 T6 Ø12x1,5mm
 Bushings - Boccole: EN AW-6082 T6
 Coupling Set - Set di connessione:



UDL, Uniformly Distributed Load - CPL, Centred Point Load - Defl., Deflection

